



Hydraulic Steering

TYPE T ACTUATORS

Wagner Type T Steering Systems are exceptionally tough and reliable. They provide a proven, trouble free system for all types of commercial vessels. Type T Actuators are available in 17 progressive sizes.

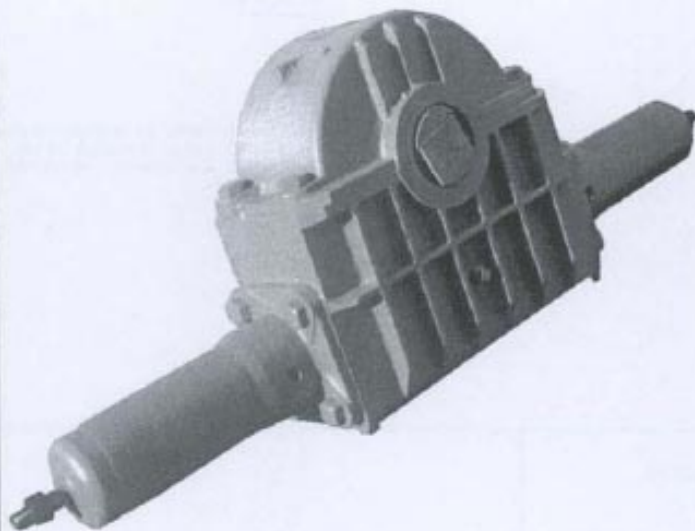
WHY WAGNER T ACTUATORS?

- **Proven Rapson Slide principle**
The ability to generate torque increases with increasing rudder angle. Matching of ram capacity to rudder torque provides effective steering at the least cost.
- **Totally enclosed**
All moving parts are encased in a grease filled, heavy, ductile iron housing and are protected from corrosion and mechanical damage.
- **Simple installation**
The integral tiller simply clamps on to the rudder post and the whole assembly self aligns to it. Alignment with shims and preparation of flat mounting beds are not necessary.
- **Rudder carrier bearing**
Due to construction of the T-ram, the clamp fitted tiller provides an integral rudder carrier bearing when the ram is supported from below.
- **Floating mount**
The mounting of the T-ram allows it to "float" on the rudder stock making it almost impossible to damage the unit should the vessel go aground or hit some obstruction.
- **Custom or standard**
Type T actuators are available in standard rudder stock diameters or can be custom bored and keyed to suit a specific project.

DEPENDABILITY AND PERFORMANCE

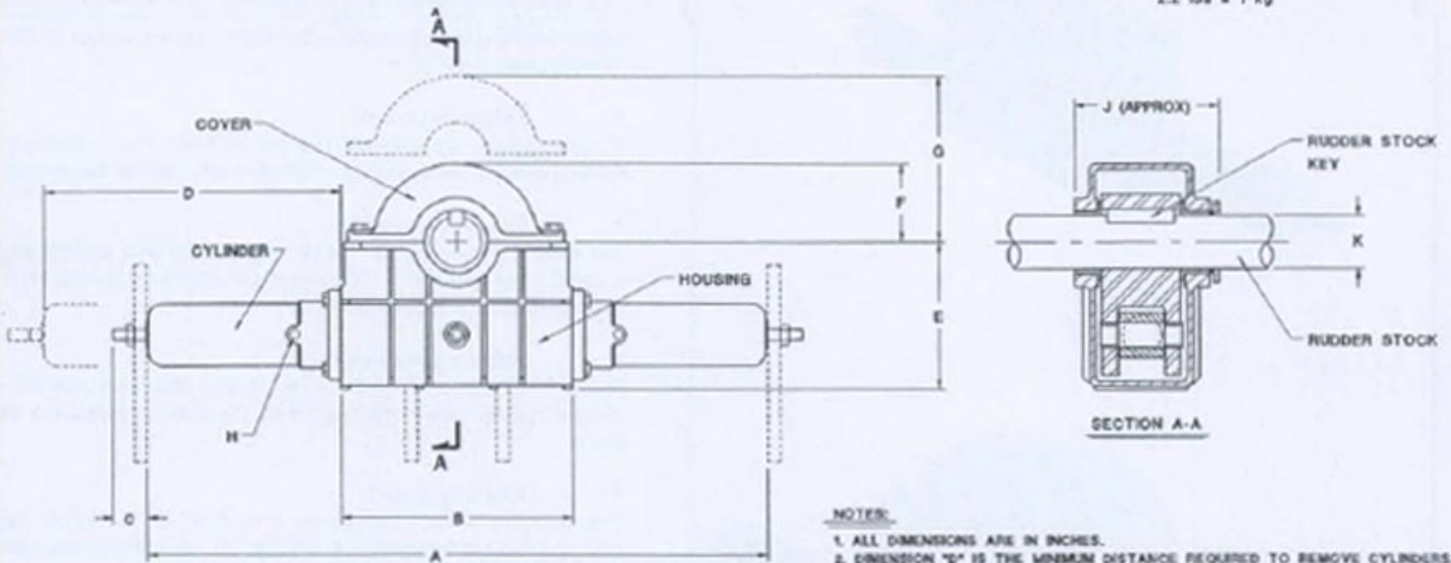
Over five decades of quality performance has made Wagner Hydraulic Steering equipment the standard for dependability and performance. Wagner products are designed and manufactured by Summer Equipment Ltd. of Vancouver, Canada, a company with over seven decades of experience in the marine field.

Wagner Hydraulic Steering Systems offer effortless control for all types of vessels.



T-MODEL ACTUATOR	STEERING ANGLE	TORQUE		ACTUATOR DISPLACEMENT		SUGGESTED HELM PUMP		A	B	C	D	E	F	G	H	J	K (DIAMETER)			WEIGHT (lbs)
		kg-m	ft-lb	cm ³	in ³	MODEL	TURNS										CUSTOM			
																	MIN	MAX	STANDARD	
T2	2 X 45°	115	820	150	9.8	B1	3.8	22-13/16"	8-15/16"	1-5/8"	15-1/2"	4-11/16"	2-5/8"	4-7/8"	3/8" NPT	5-3/16"	1-1/4"	1-5/8"	1-5/8"	80
T3	2 X 45°	235	1700	334	20	B2	5.7	26-13/16"	10"	1-3/4"	17-1/2"	5-1/4"	3-3/8"	5-9/16"	3/8" NPT	7-3/4"	1-3/8"	2"	2"	94
T4	2 X 45°	350	2540	500	31	B2	7.8	31-3/4"	12-1/2"	1-3/4"	20"	6-1/2"	4"	6-3/4"	3/8" NPT	7-3/4"	1-1/2"	2-3/4"	2" & 2.5"	148
T5	2 X 45°	480	3470	682	42	B3	6.7	35-1/4"	10-3/4"	2-1/8"	21-1/2"	6-3/4"	4-3/8"	7-7/16"	1/2" NPT	9-7/16"	2"	2-7/8"	2.5" & 2.75"	183
T10	2 X 45°	630	4520	888	54	B3	8.6	39-1/2"	12-3/4"	2-1/8"	24-3/4"	7-7/8"	5"	8-3/4"	1/2" NPT	9-7/8"	2-3/8"	3-5/8"	3" & 3.5"	232
T11	2 X 35°	850	4700	888	54	B3	8.6	39-1/2"	12-3/4"	2-1/8"	24-3/4"	9-7/16"	5"	8-3/4"	1/2" NPT	9-7/8"	2-3/8"	3-5/8"	3-1/2"	259
T12	2 X 45°	890	6410	1050	77	B3	12	45-5/8"	17-1/2"	2-3/4"	28-1/4"	9-3/4"	5-11/16"	9-7/16"	3/4" NPT	10-6/16"	2-7/8"	4-3/8"	4"	395
T17B	2 X 45°	1040	7530	1490	90	B3	14	45-5/8"	17-1/2"	2-3/4"	28-1/4"	9-3/4"	5-11/16"	9-7/16"	3/4" NPT	10-6/16"	2-7/8"	4-3/8"	4"	413
T13	2 X 35°	920	6670	1260	77	B3	12	45-5/8"	17-1/2"	2-3/4"	28-1/4"	11-5/16"	5-11/16"	10"	3/4" NPT	10-9/16"	2-7/8"	4-3/8"	4"	436
T18B	2 X 35°	1080	7830	1480	90	B3	14	45-5/8"	17-1/2"	2-3/4"	28-1/4"	11-5/16"	5-11/16"	10"	3/4" NPT	10-9/16"	2-7/8"	4-3/8"	4"	448
T14	2 X 45°	1440	10400	2050	125	B4	12.6	55-3/8"	21-1/2"	3-1/8"	34"	11-5/16"	7"	11-3/4"	3/4" NPT	12-3/4"	3-1/2"	5"	4-3/4"	605
T15	2 X 35°	1490	10900	2050	125	B4	12.6	55-3/8"	21-1/2"	3-1/8"	34"	11-5/16"	7"	11-3/4"	3/4" NPT	12-3/4"	3-1/2"	5"	4-3/4"	613
T16	2 X 45°	2820	20400	4020	245	B4	25	64-3/8"	25-1/4"	3-1/2"	40-1/4"	14"	10"	14"	1" NPT	14-7/8"	5-7/8"	6"	5-3/4"	1063
T19	2 X 35°	2930	21200	4020	245	B4	25	64-3/8"	25-1/4"	3-1/2"	40-1/4"	14-9/16"	10"	14"	1" NPT	14-7/8"	5-7/8"	6"	5-3/4"	1033
T20	2 X 45°	4970	36000	7080	435	B4	44	89-1/2"	26"	4-3/4"	64"	18-5/8"	13"	21"	1" NPT	18-3/8"	6-1/4"	7-1/2"	N/A	2583
T21	2 X 35°	5190	37500	7080	435	B4	44	89-1/2"	26"	4-3/4"	64"	22-1/4"	13"	21"	1" NPT	18-3/8"	6-1/4"	7-1/2"	N/A	2783

TORQUE RATINGS DEVELOPED AT 1000 PSI (6895 kPa)
 1 INCH = 25.4 mm
 2.2 lbs = 1 kg



Wagner Engineering Ltd.
 135 Riverside Dr.
 North Vancouver, BC
 Canada V7H 1T6
 Tel. (604) 988-1111
 Fax (604) 986-0334
 e-mail sales@wagnerengineering.ca
 web site www.wagnerengineering.ca

ISSUE DATE: OCT. 1995

P/N 191-0035

WAGNER HYDRAULIC STEERING

PRINTED IN CANADA