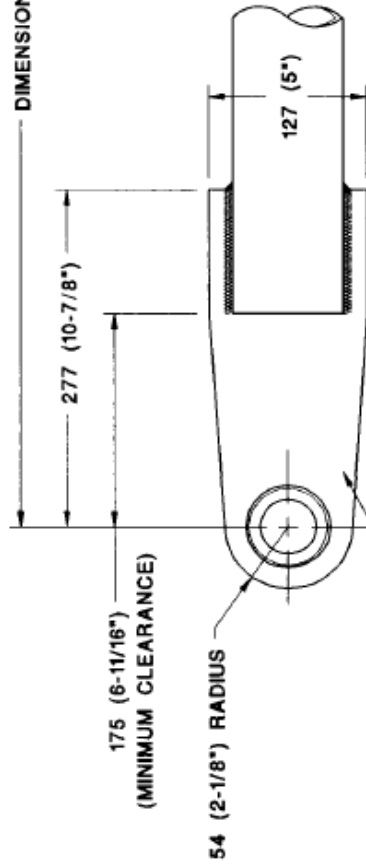


WAGNER SPHERICAL BEARING
PART NUMBER: 610-0078

FULL PENETRATION WELD
BOTH ENDS

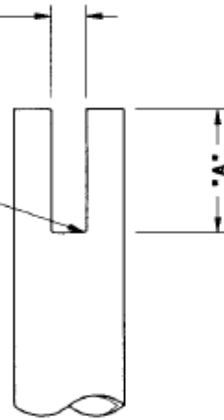


WAGNER L80
TIE BAR END
P.N.: 610-0056

PIPE LENGTH SPECIFIED BY SHIPYARD

PIPE SUPPLIED BY SHIPYARD
NOTE: TIE BAR (PIPE) SHOULD BE
SUPPORTED IN ONE OR MORE PLACES

3 (1/8") RADIUS



PIPE TO BAR SLOT DETAIL

TIE BAR FOR STEERING GEAR MODELS:

- LB2 - 1.6 - 35°
- LB2 - 1.75 - 45°
- LB2 - 2.5 - 35°

**L80 INTERCONNECTING TIE BAR
GENERAL ARRANGEMENT**



Wagner Engineering Ltd.
135 Riverside Dr.
North Vancouver, BC
Canada V7H 1T8
Tel. (604) 988-1111
Fax (604) 988-0334
www.wagnerengineering.ca

DRAWN BY: L.A.M.
SCALE: 1/4" = 1"
DATE: SEPT, 1988
REF NO.:

CHECKED BY: M.L.G.

DRAWING NO.

B-1203

REV.

C

ALL DIMENSIONS ARE IN MILLIMETERS (INCHES)

SUGGESTED TIE BAR PIPE SIZE SCHEDULE 80 STEEL PIPE (ASTM A53 GRADE B)		
PIPE SIZE	MAXIMUM LENGTH (RECOMMENDED)	"A"
3"	15 FEET	3"
4"	20 FEET	4"