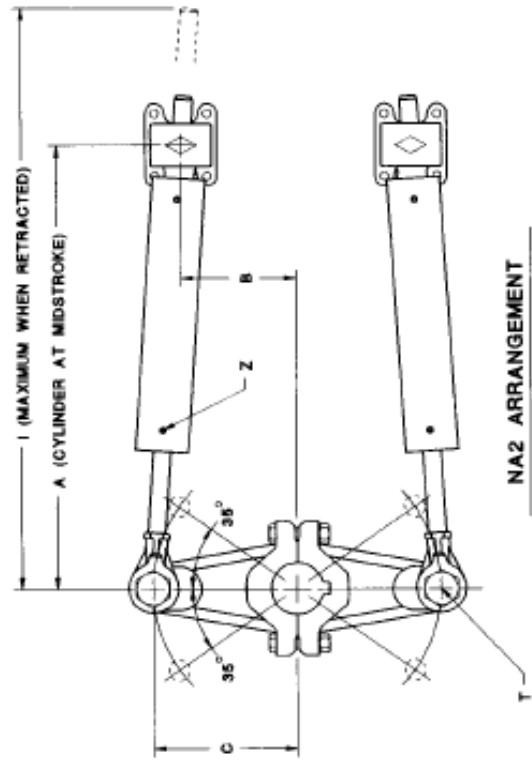


STEERING TYPE	A	B	C	D	E	F	G	H	I	J	L	M	N	O	P	Q	R	S	T	U	V	W	X	Y		
NA1-083	405	85	104	1/4"NPT	82	50	44	10	3/8"	490	28	48	127	40 X 120	618	B1	3.0	55	35	22	16	40	89	53	80	130
NA2-128	405	85	104	1/4"NPT	82	50	44	10	3/8"	490	28	48	127	40 X 120	618	B2	3.8	55	35	22	16	40	89	53	80	130
NA1-100	509	135	165	1/4"NPT	82	50	44	10	3/8"	665	33	56	200	40 X 190	981	B1	4.7	64	42	22	16	40	96	61	90	145
NA2-200	509	135	165	1/4"NPT	82	50	44	10	3/8"	665	33	56	200	40 X 190	980	B2	6.1	64	42	22	16	40	96	61	90	145
NA1-180	541	135	165	3/8"NPT	90	62	60	12	1/2"	685	40	65	314	50 X 150	1570	B2	4.8	75	40	26	24	45	113	69	110	160
NA2-320	541	135	165	3/8"NPT	90	62	60	12	1/2"	685	40	65	314	50 X 150	1570	B3	6.0	75	40	26	24	45	113	69	110	160
NA1-250	705	214	261	3/8"NPT	90	62	60	12	1/2"	980	45	75	495	50 X 300	2450	B3	4.8	86	52	26	24	45	125	81	130	200
NA2-500	705	214	261	3/8"NPT	90	62	60	12	1/2"	980	45	75	495	50 X 300	2450	B3	9.5	86	52	26	24	45	125	81	130	200
NA1-400	844	259	318	1/2"NPT	115	88	70	16	5/8"	785	53	88	602	80 X 190	3920	B3	7.7	101	55	42.5	36	60	150	97	150	235
NA2-800	844	259	318	1/2"NPT	115	88	70	16	5/8"	785	53	88	602	80 X 190	3920	B4	9.9	101	55	42.5	36	60	150	97	150	235
NA1-630	808	214	261	1/2"NPT	115	88	70	16	5/8"	1060	62	100	1287	80 X 300	6180	B4	7.8	117	65	42.5	36	60	163	110	170	245
NA2-1200	808	214	261	1/2"NPT	115	88	70	16	5/8"	1060	62	100	1287	80 X 300	6180	B4	15.6	117	65	42.5	36	60	163	110	170	245
NA2-1600	930	253	318	1/2"NPT	115	88	70	16	5/8"	1246	62	100	1326	80 X 382	6690	B4	19.9	117	65	42.5	36	60	163	110	170	245

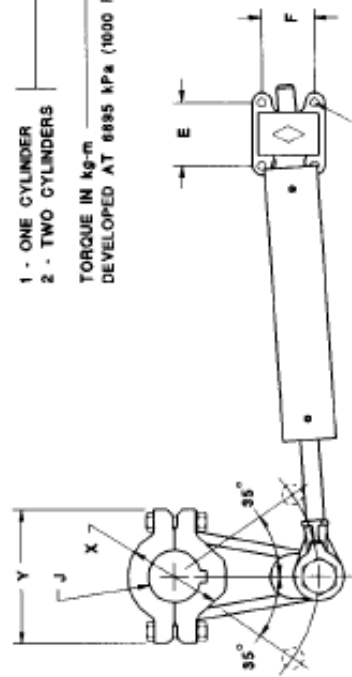
LTR	DESCRIPTION
D	HOSE CONNECTION THREAD SIZE
H	REQUIRED MOUNTING CAPSCREW SIZE
I	MAXIMUM LENGTH IN HARDOVER POSITION
J	RUDDER STOCK DIAMETER
L	TOTAL CYLINDER DISPLACEMENT (cm ³)
M	CYLINDER BORE AND STROKE (mm)
N	TORQUE DEVELOPED (N-m)
O	WAGNER HELM PUMP MODEL
P	WHEEL TURNS HARDOVER TO HARDOVER
Q	TILLER HUB HEIGHT
R	TILLER EYE THICKNESS
S	ROD END SPHERICAL SWIVEL THICKNESS
T	TILLER BOLT DIAMETER
V	OVERALL HEIGHT
X	TILLER HUB OVERALL LENGTH
Y	TILLER HUB OVERALL LENGTH
Z	BLEED FITTING



NA2 ARRANGEMENT

STEERING SYSTEM CODING

N TYPE CYLINDER MODEL
 A - SINGLE RUDDER
 B - TWIN RUDDER
 X - IF UNKNOWN
 1 - ONE CYLINDER
 2 - TWO CYLINDERS
 TORQUE IN kg-m
 DEVELOPED AT 6895 kPa (1000 PSI)



NA1 ARRANGEMENT

(SINGLE RUDDER ARRANGEMENTS)

TYPE-N OVERALL DIMENSIONS
 (2 X 35°) FOR NA1 & NA2 ARRANGEMENTS

Wagner Engineering Ltd.
 135 Riverside Dr.
 North Vancouver, BC
 Canada V7H 1T6
 Tel: (604) 988-1111
 Fax: (604) 988-0334
 www.wagnerengineering.ca

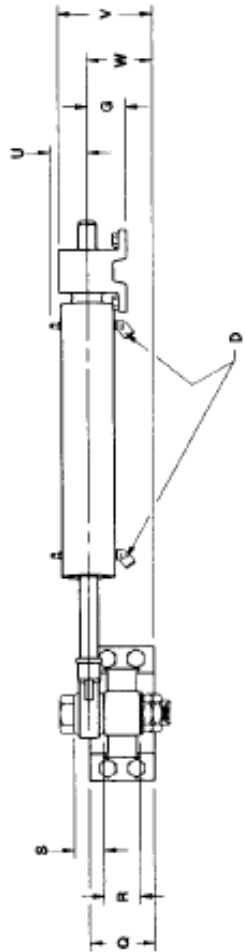


DRAWN BY: M.L.G.
 SCALE: N.T.S.
 DATE: JUNE, 1994
 REF. NO.:
 CHECKED BY: F.J.P.
 DRAWING NO.:
 REV. A
 C-3-739

NOTES:

- EXTERNAL RUDDER STOPS MUST BE INSTALLED.
- ALL DIMENSIONS ARE IN MILLIMETERS.
- METRIC AND U.S. CUSTOMARY CONVERSIONS:

25.4 mm = 1 inch
 1 kg-m = 7.23 lbf-ft
 1 kg-m = 9.81 N-m
 6.90 kPa = 1 psi
 1 kg = 2.2 lbs



SIDE VIEW (NA1 AND NA2)