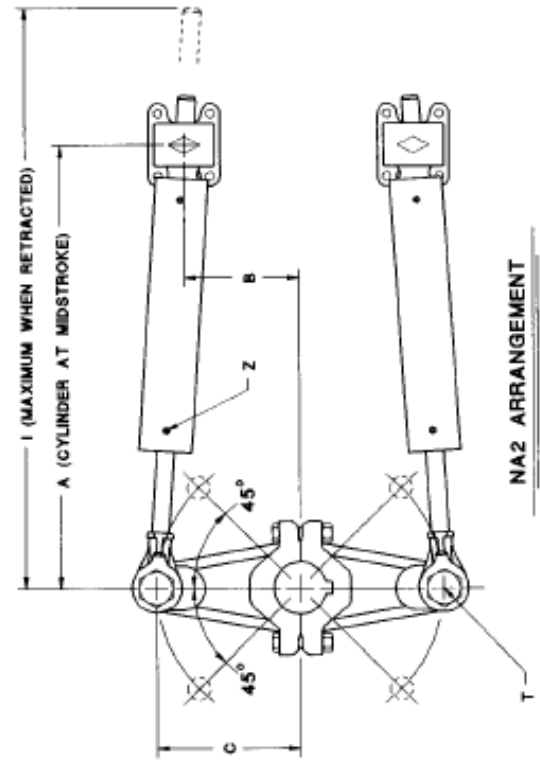


STEERING TYPE	A	B	C	D	E	F	G	H (mm)	H (inch)	I (MIN)	J (MAX)	L (cm <sup>2</sup> )	M (N-m)	N (N-m)	O	P	Q	R	S	T	U	V	W	X	Y	
NA1-44	404	60	84	1/4"NPT	82	50	44	10	3/8"	485	28	48	127	40 X 120	431	B1	3.0	55	35	22	16	40	89	53	80	130
NA2-88	404	80	84	1/4"NPT	82	50	44	10	3/8"	485	28	48	127	40 X 120	683	B2	3.8	55	35	22	16	40	89	53	80	130
NA1-70	508	95	133	1/4"NPT	82	50	44	10	3/8"	660	33	56	200	40 X 190	686	B1	4.7	84	42	22	16	40	96	61	90	145
NA2-140	508	95	133	1/4"NPT	82	50	44	10	3/8"	660	33	56	200	40 X 190	1373	B2	6.1	84	42	22	16	40	96	61	90	145
NA1-112	540	95	133	3/8"NPT	90	62	60	12	1/2"	685	40	65	314	50 X 190	1098	B2	4.8	75	40	26	24	45	119	89	110	160
NA2-224	540	95	133	3/8"NPT	90	62	60	12	1/2"	685	40	65	314	50 X 190	2197	B3	6.0	75	40	26	24	45	119	89	110	160
NA1-176	704	150	211	3/8"NPT	90	62	60	12	1/2"	980	45	76	495	50 X 300	1716	B3	4.8	86	52	26	24	45	125	81	130	200
NA2-350	704	150	211	3/8"NPT	90	62	60	12	1/2"	980	45	76	495	50 X 300	3433	B3	9.5	86	52	26	24	45	125	81	130	200
NA1-280	643	95	133	1/2"NPT	115	95	70	16	5/8"	785	53	88	802	80 X 190	2746	B3	7.7	101	55	42.5	36	60	150	97	150	235
NA2-560	643	95	133	1/2"NPT	115	95	70	16	5/8"	785	53	88	802	80 X 190	5493	B4	9.9	101	55	42.5	36	60	150	97	150	235
NA1-441	807	150	211	1/2"NPT	115	95	70	16	5/8"	1060	62	100	1287	80 X 300	4326	B4	7.8	117	65	42.5	36	60	163	110	170	245
NA2-882	807	150	211	1/2"NPT	115	95	70	16	5/8"	1060	62	100	1287	80 X 300	8652	B4	15.6	117	65	42.5	36	60	163	110	170	245
NA2-1125	920	185	261	1/2"NPT	115	95	70	16	5/8"	1246	62	100	1326	80 X 382	11036	B4	19.9	117	65	42.5	36	60	163	110	170	245

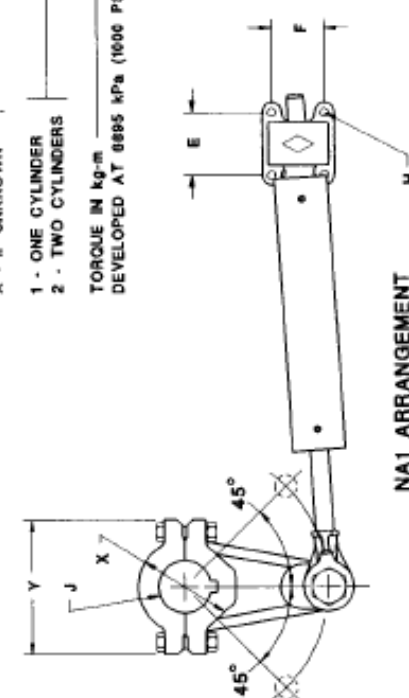
LTR	DESCRIPTION
D	HOSE CONNECTION THREAD SIZE
H	REQUIRED MOUNTING CAPSCREW SIZE
I	MAXIMUM LENGTH IN HARDOVER POSITION
J	RUDDER STOCK DIAMETER
L	TOTAL CYLINDER DISPLACEMENT (cm <sup>3</sup> )
M	CYLINDER BORE AND STROKE (mm)
N	TORQUE DEVELOPED (N-m)
O	WAGNER HELM PUMP MODEL
P	WHEEL TURNS HARDOVER TO HARDOVER
Q	TILLER HUB HEIGHT
R	TILLER EYE THICKNESS
S	ROD END SPHERICAL SWIVEL THICKNESS
T	TILLER BOLT DIAMETER
V	OVERALL HEIGHT
X	TILLER HUB DIAMETER
Y	TILLER HUB OVERALL LENGTH
Z	BLEED FITTING



NA2 ARRANGEMENT

STEERING SYSTEM CODING

N TYPE CYLINDER MODEL  
 A - SINGLE RUDDER  
 B - TWIN RUDDER  
 X - IF UNKNOWN  
 1 - ONE CYLINDER  
 2 - TWO CYLINDERS  
 TORQUE IN kg-m  
 DEVELOPED AT 8895 kPa (1000 PSI)



NA1 ARRANGEMENT

NOTES:

- EXTERNAL RUDDER STOPS MUST BE INSTALLED.
- ALL DIMENSIONS ARE IN MILLIMETERS.
- (\*) - NOT A WAGNER STANDARD TELLER.
- METRIC AND U.S. CUSTOMARY CONVERSIONS:

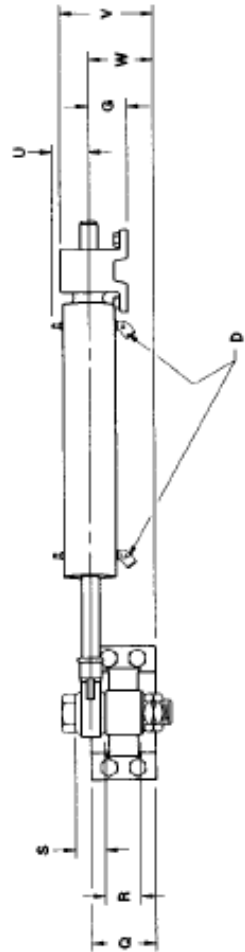
25.4 mm = 1 inch  
 1 kg-m = 7.23 lbs-ft  
 1 kg-m = 9.81 N-m  
 6.80 kPa = 1 psi  
 1 kg = 2.2 lbs

(SINGLE RUDDER ARRANGEMENTS)

TYPE-N OVERALL DIMENSIONS  
 (2 X 45°) FOR NA1 & NA2 ARRANGEMENTS

**WAGNER**  
 Wagner Engineering Ltd.  
 135 Riverside Dr.  
 North Vancouver, BC  
 Canada V7H 1T6  
 Tel. (604) 888-1111  
 www.wagnerengineering.ca Fax (604) 886-0334

DRAWN BY: M.L.B.  
 SCALE: N.T.S.  
 DATE: JUNE 1994  
 REF NO.:  
 CHECKED BY: F.J.P.  
 DRAWING NO. **C-3-741**  
 REV. **A**



SIDE VIEW (NA1 AND NA2)