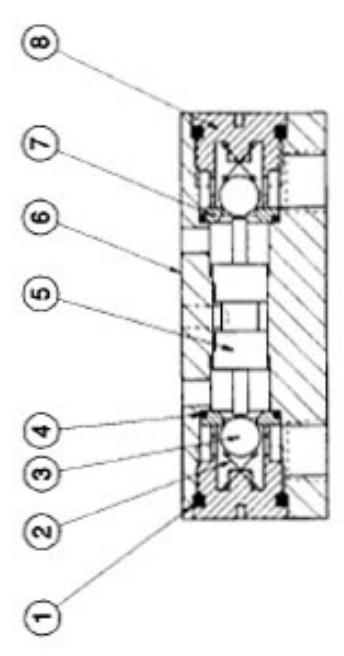
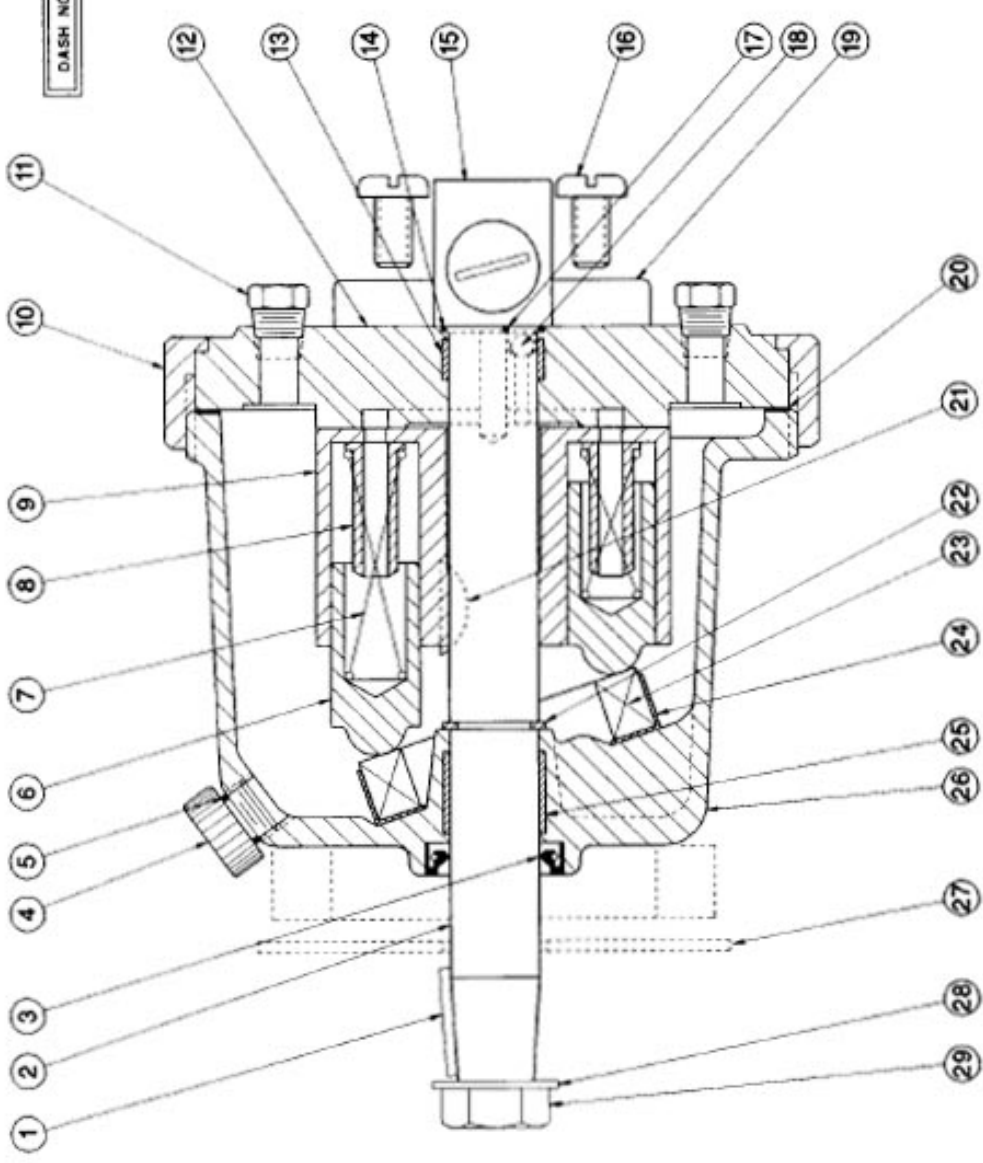


QTY	ITEM	PART NO.	DESCRIPTION	MAT'L
-2	-1			
1	1	51-100001	SQUARE KEY	BRASS
1	2	320-0010	SHAFT (701 HELM PUMP)	BRASS
1	2	320-0148	SHAFT (702 HELM PUMP)	BRASS
1	3	10-500013	SHAFT SEAL	SYN
1	4	41-128003	PLASTIC PLUG	PLAST
1	5	11-106111	O-RING	BUNA
6	6	320-0012	PISTON	D.I.
6	6	31-1000064	SPRING	STL
6	6	92-891001	PISTON INSERT	ALUM
1	9	320-0011	ROTOR	D.I.
1	10	320-0115	END NUT	ALUM
2	2	41-102007	BRASS PLUG	BRASS
1	12	320-0117	BACKPLATE	D.I.
1	13	320-0180	BEARING	SYN
1	14	11-106018	O-RING	BUNA
1	15	400-0001	LOCKVALVE (SEE ASSEMBLY BELOW)	ALUM
2	2	51-279003	CAPSCREW	STL
2	2	11-106018	O-RING	BUNA
2	2	21-3000004	CHECK BALL	STL
2	2	92-891002	CLAMP BAR	ZN
1	20	10-300012	GASKET	CORK
1	21	51-190004	WOODRUFF KEY	STL
1	22	51-3000014	SNAP RING	STL
1	23	21-1000004	BEARING	STL
1	24	91-990002	BEARING CAGE	STL
1	25	320-0189	BEARING	SYN
1	26	320-0116	HOUSING (701 HELM PUMP)	ALUM
1	26	320-0161	HOUSING (702 HELM PUMP)	ALUM
1	27	320-0160	TRIM PLATE (702 HELM PUMP)	S.S.
1	28	51-409001	WASHER	STL
1	29	51-219001	CAPSCREW	S.S.



1/4" LOCKVALVE (PART NO: 400-0001)

ITEM	QTY	PART NO.	DESCRIPTION
1	2	11-106114	O-RING
2	2	31-100003	SPRING
3	2	21-3000010	CHECK BALL
4	2	11-106015	O-RING
5	1	410-0001	PISTON ASSEMBLY
6	1	420-0002	BODY
7	2	420-0002	BALL SEAT
8	2	420-0004	END INSERT

MODELS 701 AND 702 HELM PUMP SEAL KIT PART NUMBER: 119-0002

DASH NO.	ASSEMBLY PART NUMBER	DESCRIPTION
-1	300-0007	701 HELM PUMP ASSEMBLY
-2	300-0041	702 HELM PUMP ASSEMBLY

WAGNER MODELS 701 AND 702 HELM PUMP ASSEMBLY DRAWING



Wagner Engineering Ltd.
135 Riverside Dr.
North Vancouver, BC
Canada V7H 1T6
Tel: (604) 888-1111
www.wagnerengineering.ca Fax: (604) 888-0334

DRAWN BY: L.A.M.
SCALE: 1 1/4" = 1"
DATE: MAY 1997
REF NO:

CHECKED BY: M.L.G.
DRAWING NO. C-3-313
REV.