

QTY	ITEM	PART NO.	DESCRIPTION	MAT'L
1	1	51-219011	CAPSCREW	S.S.
1	2	51-401005	WASHER	S.S.
1	3	320-0075	SHAFT	BRASS
1	4	21-200009	BEARING INNER RACE	STL
1	5	21-200010	BEARING	STL
1	6	91-990301	WASHER	STL
5	7	51-209004	CAPSCREW	STL
1	8	50-300015	GASKET	CORK
5	9	51-509009	NUT	STL
1	10	21-100016	BEARING	STL
2	11	41-132002	PIPE PLUG	BRASS
-	12	320-0080	ROTOR	D.I.
1	12	320-0086	ROTOR	D.I.
1	13	320-0077	HOUSING	ALUM
1	14	21-100006	BEARING	STL
1	15	11-106133	O-RING	BUNA
1	16	320-0081	PINTLE	STL
2	17	21-300002	CHECK BALL	STL
1	18	51-170018	DOWEL PIN	STL
1	19	400-0164	1/2" LOCKVALVE ASSEMBLY	D.I.
2	20	51-210046	CAPSCREW	STL
2	21	51-430005	LOCKWASHER	STL
2	22	11-106018	O-RING	BUNA
1	23	11-106005	O-RING	BUNA
2	24	91-990906	WIRE BALL STOP	STL
1	25	320-0082	ROTOR SLEEVE	D.I.
7	26	31-100055	SPRING	STL
7	27	92-991005	PISTON INSERT	ALUM
1	28	51-102010	KEY	BRASS
-	29	320-0078	PISTON	D.I.
7	29	320-0085	PISTON	D.I.
1	30	320-0083	BEARING PLATE	STL
1	31	320-0078	FRONT PLATE	ALUM
1	32	91-990904	BEARING CAGE	STL
1	33	292-0016	DIPSTICK TUBE	PL
1	34	91-998009	DIPSTICK	PL
1	35	10-500009	SHAFT SEAL	NEO
1	36	51-102007	KEY	BRASS

DASH NO.	ASSEMBLY PART NUMBER	DESCRIPTION
-1	300-0070	B3 HELM PUMP ASSEMBLY
-2	300-0071	B4 HELM PUMP ASSEMBLY

WAGNER B3 AND B4 HELM PUMP ASSEMBLY DRAWING

Wagner Engineering Ltd.
135 Riverside Dr.
North Vancouver, BC
Canada V7H 1T6
Tel. (604) 888-1111
www.wagnerengineering.ca Fax (604) 886-0334

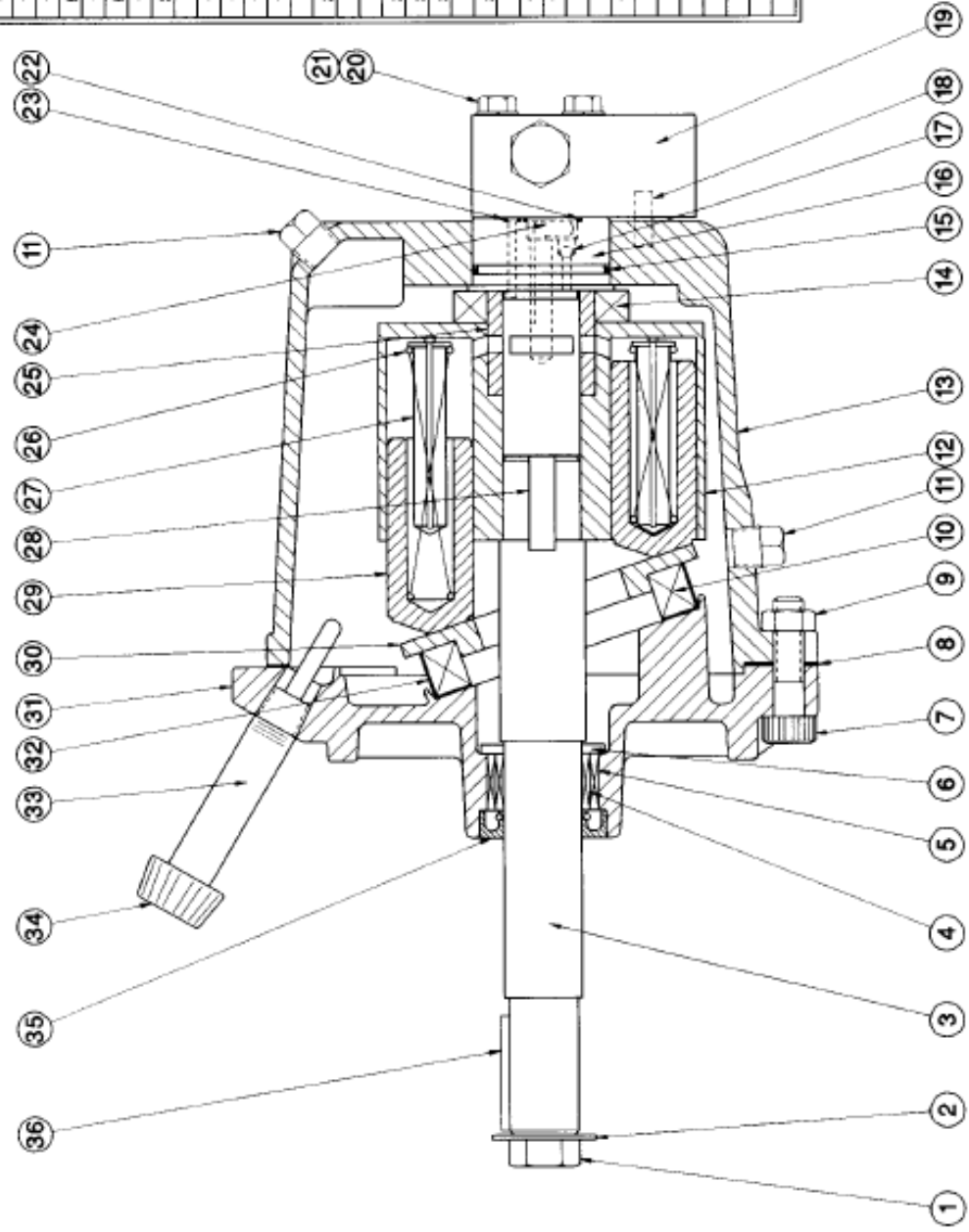
WAGNER

DRAWN BY: J.A.M.
SCALE: 3/4" = 1"
DATE: MARCH, 1997
REF NO.:

CHECKED BY: M.L.G.

DRAWING NO. **C-3-315**
REV.

DASH NO. -2 -1



B PUMP SEAL KIT PART NUMBER: 119-0985 (ITEMS 8, 15, 22, 23, 35)

B3 PUMP HOUSING, PINTLE, & ROTOR SUB-ASSEMBLY PART NUMBER: 310-0023 (ITEMS 12, 13, 14, 15, 16, 25, 26, 27, 29)

B4 PUMP HOUSING, PINTLE, & ROTOR SUB-ASSEMBLY PART NUMBER: 310-0024 (ITEMS 12, 13, 14, 15, 16, 25, 26, 27, 29)

REFER TO DRAWING C-6-410 FOR THE 1/2" LOCKVALVE ASSEMBLY PART NUMBER: 400-0164 (ITEM 19)